

欢迎使用 TAKSTAR 便携式数字扩音器。本产品是专为教学、导游和参观等而设计的，采用数字技术，提供更长久的电池使用时间和较大的输出功率，是教学、导游的理想选择。在使用之前，请仔细阅读说明书，以便能正确的操作，发挥本扩音器的理想性能。

产品特性

- 集麦克风、功放、音箱、充电器、电池为一体的便携式数字扩音器。
- 采用class D数字模块，低功耗高效率，能输出高达6W的音频功率。
- 内置大容量耐久型锂离子电池，为该产品提供高电能的同时，减少废弃物的产生。
- 内置MUC充电管理系统，使电池处于安全可靠的模式下充放电，充电只需4-6小时，而连续使用可达20小时。
- 灵活可变的多种佩挂方式，适应不同用户的个性需求。
- 产品外观按人体工程学设计，造型新颖，外观时尚，使用舒适。

技术参数

频率响应：80Hz-12kHz
 输出功率：6W (PMPO:12W)
 扬声器阻抗：4Ω
 工作电压：3.7V
 电池规格：3.7V/2200mAh锂离子电池
 充电器规格：DC 5V/600-750mA
 充电时间：4-6小时 4-6hrs
 使用时间：20小时
 主机重量：243g

注意事项

- 长时间不使用时应将电池充满电。
- 当低电量时应及时充电。
- 请不要将外部的音源信号（如DVD、MP3等）从MIC插孔输入，以免声音幅度过大而失真。
- 为了保证充电器的性能，请使用本机配送的DC 5V/600-750mA充电器。
- 为了达到良好效果，请对准头戴麦克风的咪芯（1-2cm）处发音，以防方向不正引起啸叫。
 - 禁止对非充电电池进行充电。
- 非专业技术人员请不要擅自拆机改装或维修；如有问题或服务需求请联系当地经销商。

使用说明

1. 将电池按正确的标示装入电池仓内。
2. 将头戴麦克风正确的佩戴在头部，并调整好麦克风的拾音角度。
3. 将Φ3.5mm的麦克风插头插入麦克风输入孔内。
4. 打开电源，电源指示灯亮，调整音量电位器到合适的音量大小。
5. 使用过程中，若电量指示灯在亮红灯时，表示电池低电量，请及时充电。

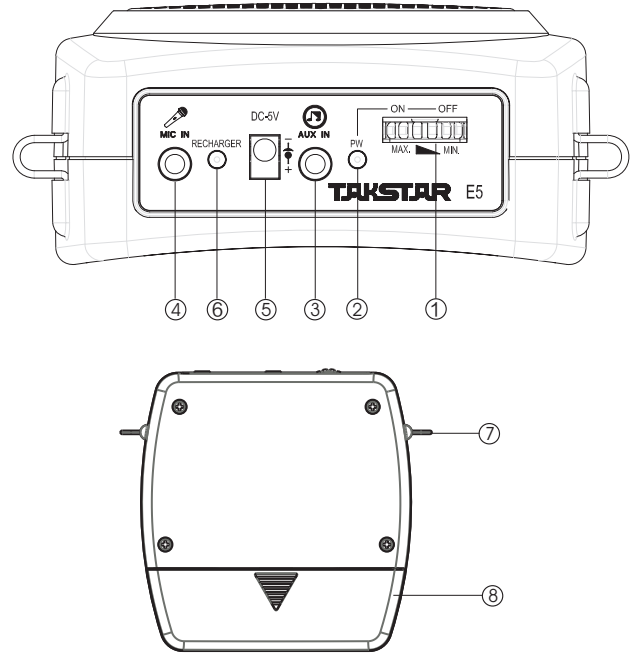
标准配件

		
数字扩音器	HM-700头戴麦克风	适配器
		
锂电池	绑带	音频线
		
说明书		

特别声明

※ 得胜公司保留对本说明书描述的产品及说明书内容更新和改进的权利，如有更改，恕不另行通知。

控制面板功能示意图



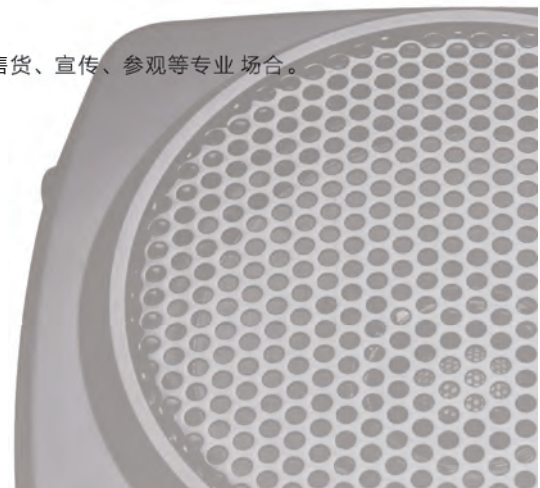
- ① 电源开关和音量调节旋钮：向左转动旋钮，听到“滴”一声，表示扩音器已通电，此时电源指示灯②亮，继续向左声音越大，反之，声音越小直至关机。
- ② 电源指示灯：当扩音器通电时，此灯会亮。绿色为正常，红色为低电状态，亮红灯时声音会有异常，逐渐减弱直至熄灭。
- ③ 音频输入插孔
- ④ 麦克风输入插孔：将Φ3.5mm的麦克风插头插入此孔，进入待机状态。
- ⑤ 充电输入插孔：将随机配送的DC 5V/600-750mA电源充电器插头插入此孔，即可开始对电池充电。
- ⑥ 充电指示灯：将充电器插入⑤孔内时，指示灯亮，表示电池进入充电状态；指示灯由红色变为绿色后，表示电池已充满。
- ⑦ 挂绳扣
- ⑧ 电池仓：内置一节大容量锂离子电池。

电池的使用和安全须知

1. E5扩音器由锂离子电池供电，电池有使用寿命限制，当工作时间明显缩短时，请更换电池。
2. 过高或过低的温度都会影响电池的充电效果，请将电池充电的环境温度保持在0-45℃。
3. 请不要擅自从扩音器内取出电池挪作其它用途，更不要将电池掷入火中或水中。
4. 电池属于易耗品，不在保修范围之内，更换电池时，请使用厂家电池。
5. 请注意不要使电池发生短路（避免与项链、钥匙、发夹、导线等金属物放置在一起），也不要使用其它充电器或已受损电池。
6. 请正确处理废弃电池，不要将其直接投入垃圾桶。
7. 不要让儿童接触电池，并将电池当做玩具。
8. 不要捶打、抛掷电池，避免猛烈撞击电池。

适用场合

※ 教学、导游、集会、售货、宣传、参观等专业场合。



Welcome to use TAKSTAR portable digital voice amplifier. This product is ideal for teaching, tour guide etc. because of the excellent digital technology, long battery playtime and high output power. Please read this user manual detailedly before using to make sure the correct operation.

Features

- Unique and fashionable design
- CLASS D digital module for low power consumption
- 6W output power
- Built-in high capacity rechargeable lithium-ion battery for upto 20hrs continuous playtime
- Built-in MCU intelligent charging management system for secure battery charging and discharging
- Multiple wearing choices for convenient use

Specification

Frequency Response: 80Hz–12kHz
 Output Power: 6W(PMPO:12W)
 Output Impedance: 4Ω
 Operating Voltage : 3.7V
 Battery Specification: 6WmAh lithium-ion battery
 Power Adapter Specification: DC 5V/600-750mA
 Recharging Time: 4-6hrs
 Playtime: 20hrs
 Net Weight: 243g

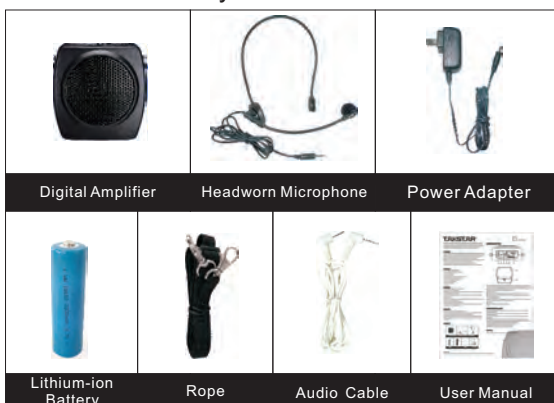
Caution

- Please full recharge the battery if long time no use.
- Recharge timely when low battery power.
- Don't insert external audio signal such as DVD or MP3 into the MIC socket to avoid distortion due to extreme high voice.
- Please use DC 5V/600-750mA power adaptor to make sure the best charging function.
- Aim at the headworn mic capsule when speaking and keep the distance between vocal and mic as 1-2cm to avoid howling.
- Recharge for non-rechargeable battery is prohibited.
- Non-special technician is not allowed to disassemble or repair the product, please contact the local agent if there is any question or service requirement.

Operation

1. Put the battery into the battery compartment according to the polar.
2. Wear the headworn microphone correctly and adjust the suitable microphone pick-up angle.
3. Insert the Ø 3.5mm microphone plug into the MIC input socket.
4. Turn on the power, the power indicator will light, then adjust the volume.
5. If the power indicator turns red, it means the battery power is low, please charge in time.

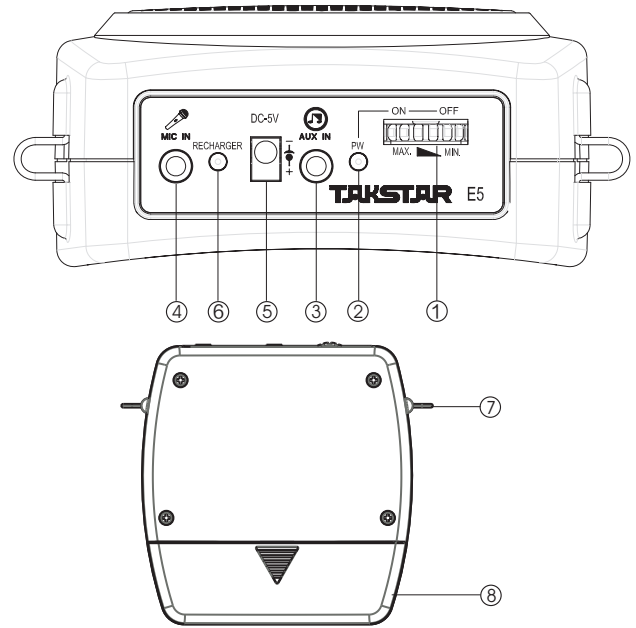
Standard Accessory



Announcement

※ Specifications are subject to change without prior notice.

Function Illustration



- ① Power switch and volume adjusting knob: turn the knob to left, you will hear the sound "Di", it means it is on, the power indicator ② will light, turn left for loud voice, turn right for low voice until power off.
- ② Power indicator: when the voice amplifier is on, the indicator lights. Green is normal, red is in low power condition, when it is red, the vocal will be abnormal and get weaker and weaker gradually until turn off.
- ③ Audio input socket.
- ④ Microphone input socket: insert the microphone Ø3.5mm plug into this socket.
- ⑤ Power adapter input socket: input the plug of DC 5V/600-750mA power adaptor into this socket for battery recharging.
- ⑥ Recharge indicator: when the power adaptor plug is inserted in the power adaptor input socket ⑤, the indicator lights, it means it is being recharged; when it turns into green, it means the battery is full recharged.
- ⑦ Rope buckle.
- ⑧ Battery Compartment: a high capacity lithium-ion battery is inside.

Caution For Battery

1. E5 voice amplifier is powered by lithium-ion battery, the battery life time has limit, please change the battery when the playtime is obviously shorten.
2. Extreme high or low temperature will influence the battery recharge effect, please keep the environment temperature as 0-45°C for battery recharging.
3. Don't use the battery of this amplifier for other usage or throw it into fire or water.
4. Battery belongs to consumption part, it is not within the after-service range, please use the battery supplied by manufacturer when you want to change the battery.
5. Avoid making the battery short (don't put the battery with the metal part such as necklace, key, barrette, lead wire etc.), don't use other power adapter or damaged battery.
6. Please dispose the abandoned battery correctly, do not throw it into the trash can directly.
7. Children are not allowed to contact with the battery or play it.
8. Do not thump or sling the battery.

Application

※ Teaching, tour guide, selling, outdoor PA.